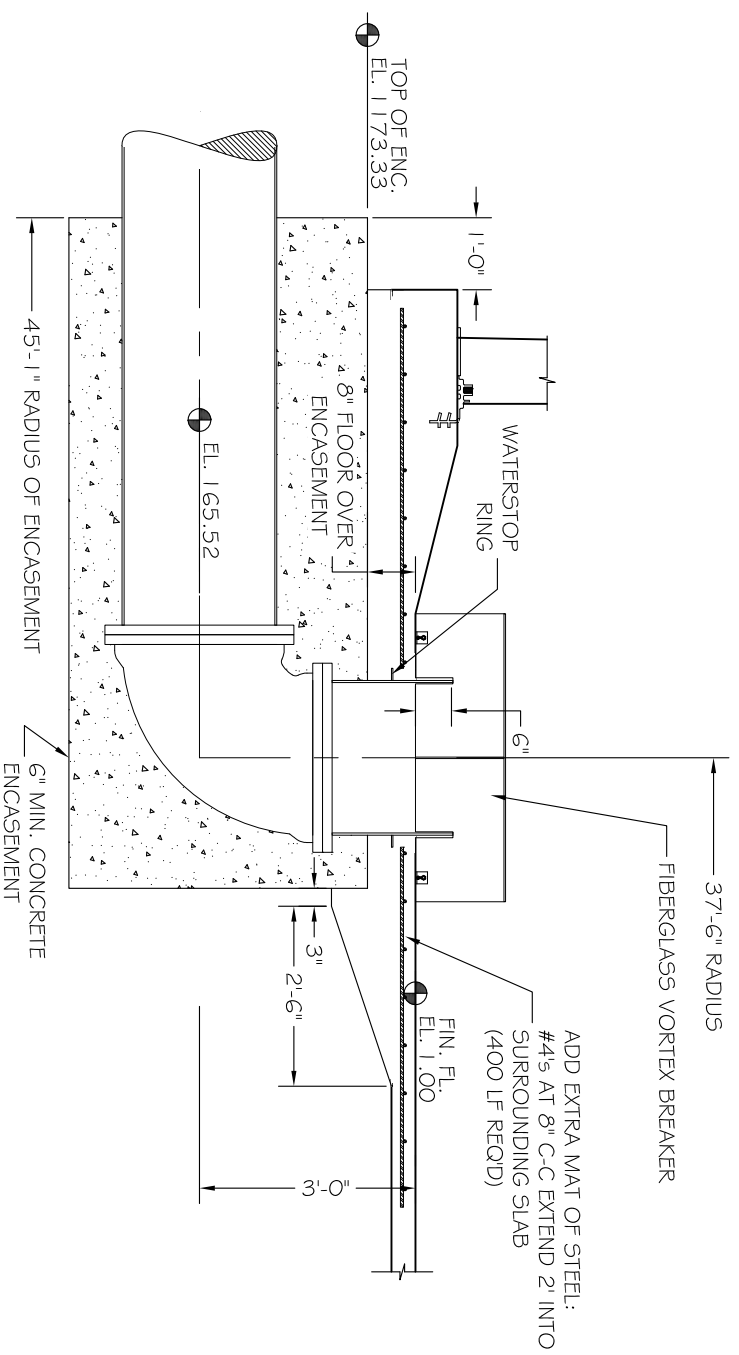


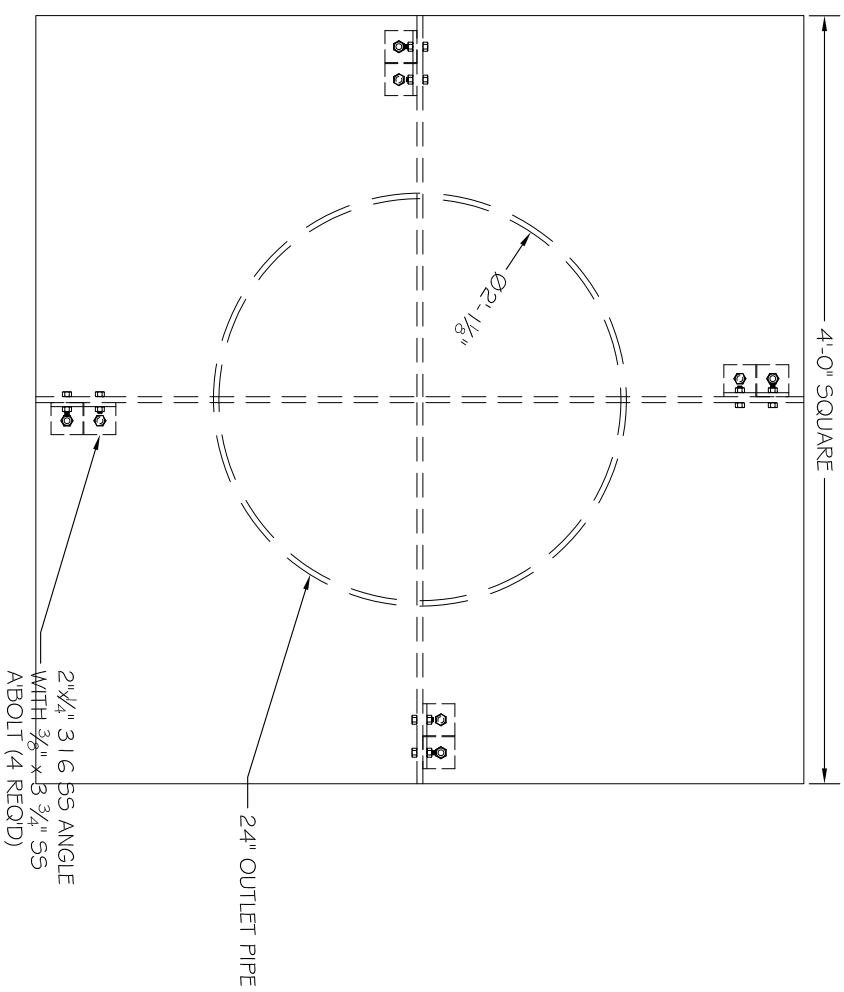
1 2" DI INLET PIPE DETAIL

SC: $\frac{3}{8}" = 1'-0"$



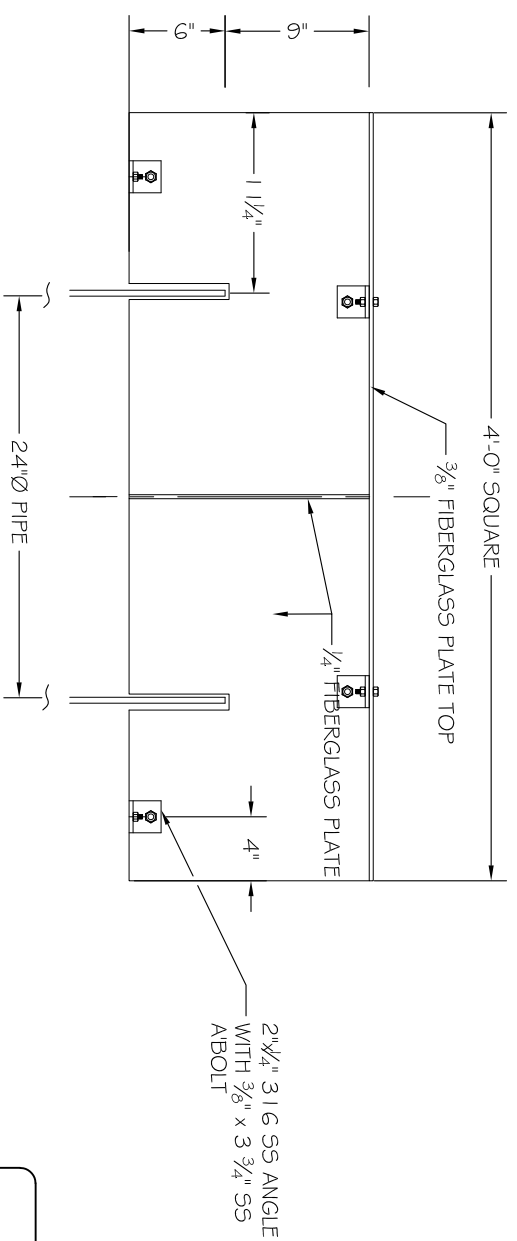
24" DI OUTLET DETAIL

SC: $\frac{3}{8}" = 1'-0"$



PLAN VIEW

SC: 1" = 1'-0"



SECTION VIEW

SC: 1" = 1'-0"

VORTEX BREAKER

(1 REQ'D)

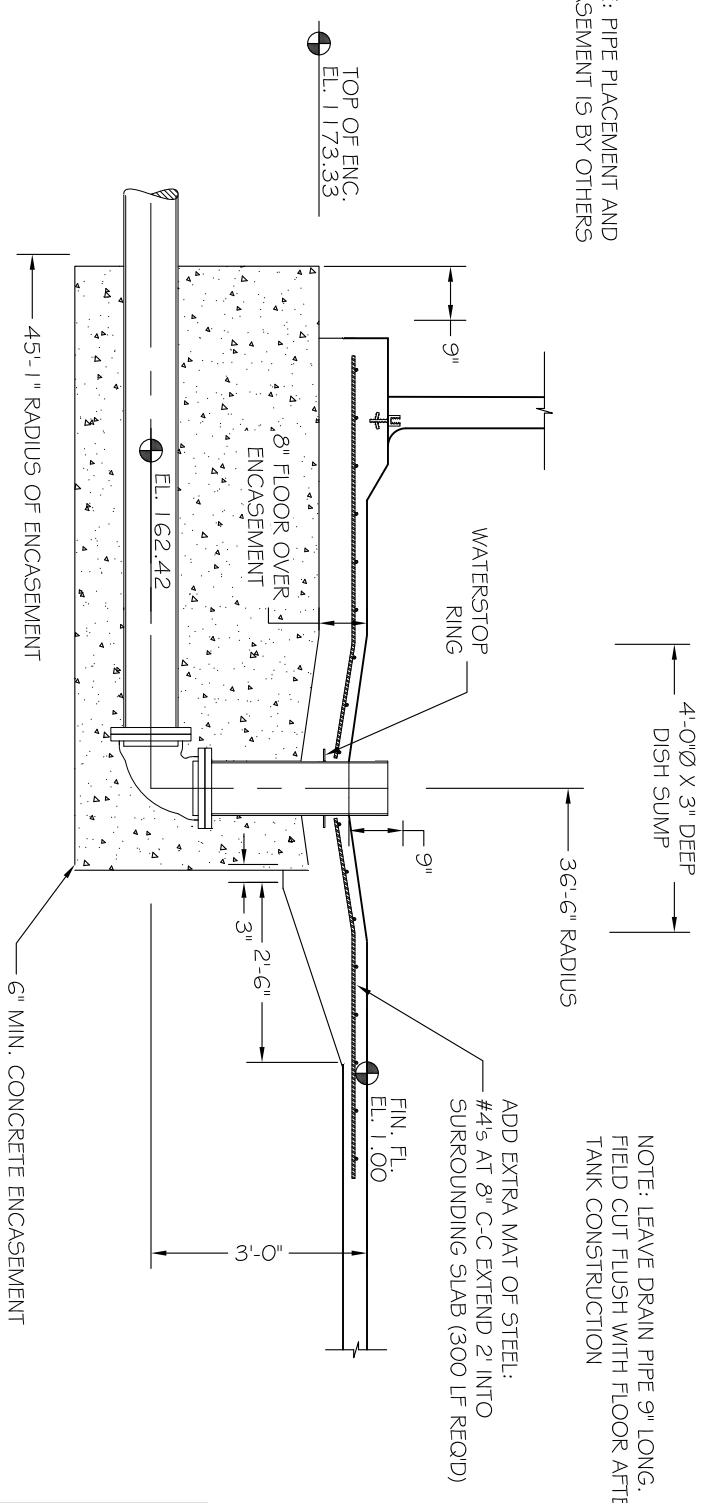


PRECON CORPORATION
115 SW 140th TERRACE
NEWBERRY, FL 32689
(352) 332-1200
(FAX) 332-1199

Drawn:	XXX
Check:	XXX
Appvd:	XXX
Date:	1/11/26
Job No.	2604
Sheet:	06
AUTOCAD FILENAME:	2604-RO-VANILLA TANK

NOTE: PIPE PLACEMENT AND ENCASUREMENT IS BY OTHERS

NOTE: PIPE PLACEMENT AND ENCASEMENT IS BY OTHERS



NOTE: LEAVE DRAIN PIPE 9" LONG. FIELD CUT FLUSH WITH FLOOR AFTER TANK CONSTRUCTION

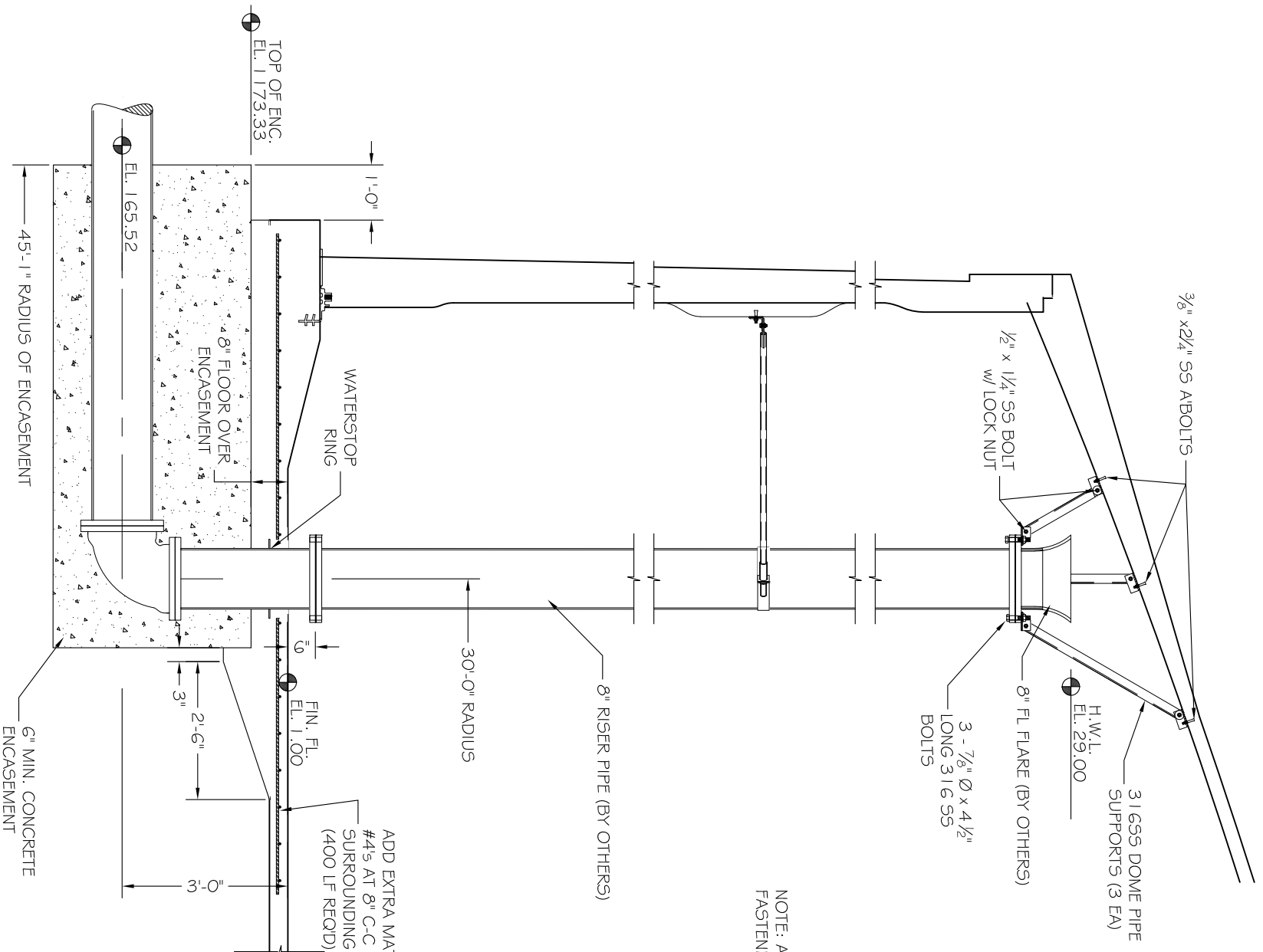
8" Ø DI DRAIN PIPE DETAIL

SC: 3/8" = 1'-0"

Drawn:	XXX
Check:	XXX
Appvd.	XXX
Date:	1/11/26
Job No.	2604
Sheet:	07
AUTOCAD FILENAME:	2604-RO -VANILLA TANK

PRECON CORPORATION
 115 SW 140th TERRACE
 NEWBERRY, FL 32669
 (352) 332-1200
 (FAX) 332-1199

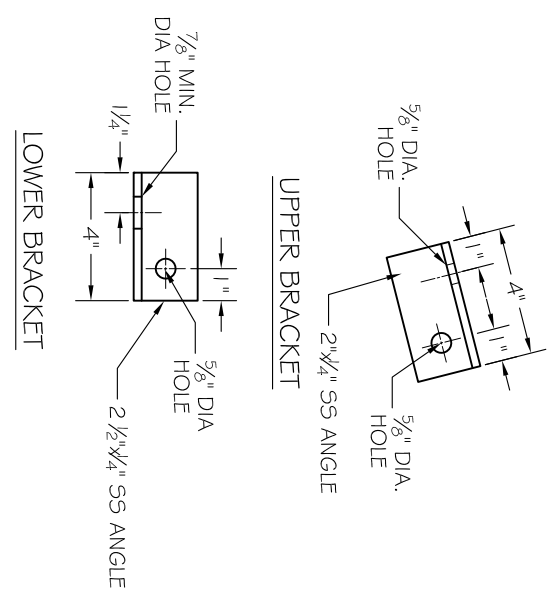
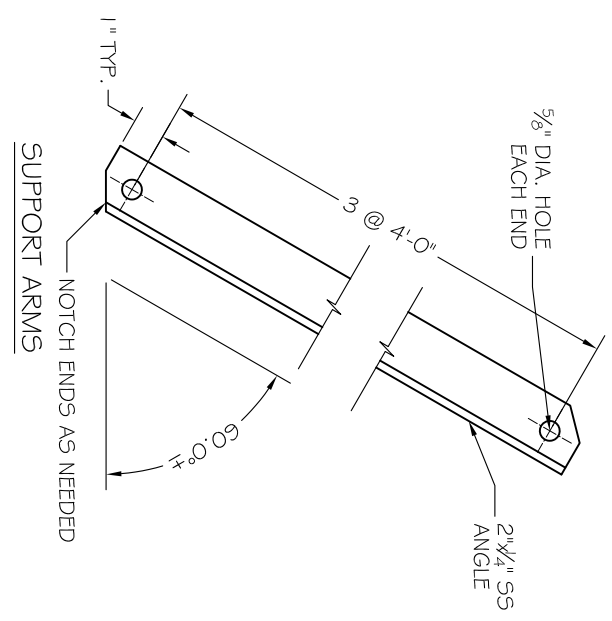




8"Ø DI OVERFLOW PIPE DETAIL

SC: 3/8" = 1'-0"

NOTE: ALL STAINLESS FASTENERS TO BE 316 SS



PIPE BRACKETS

(3 EACH)

Drawn:	XXX
Check:	XXX
Appvd.	XXX
Date:	1/11/26
Job No.	2604
Sheet:	08
AUTOCAD FILENAME:	2604-RO -VANILLA TANK

PRECON CORPORATION
 115 SW 140th TERRACE
 NEWBERRY, FL 32669
 (352) 332-1200
 (FAX) 332-1199

