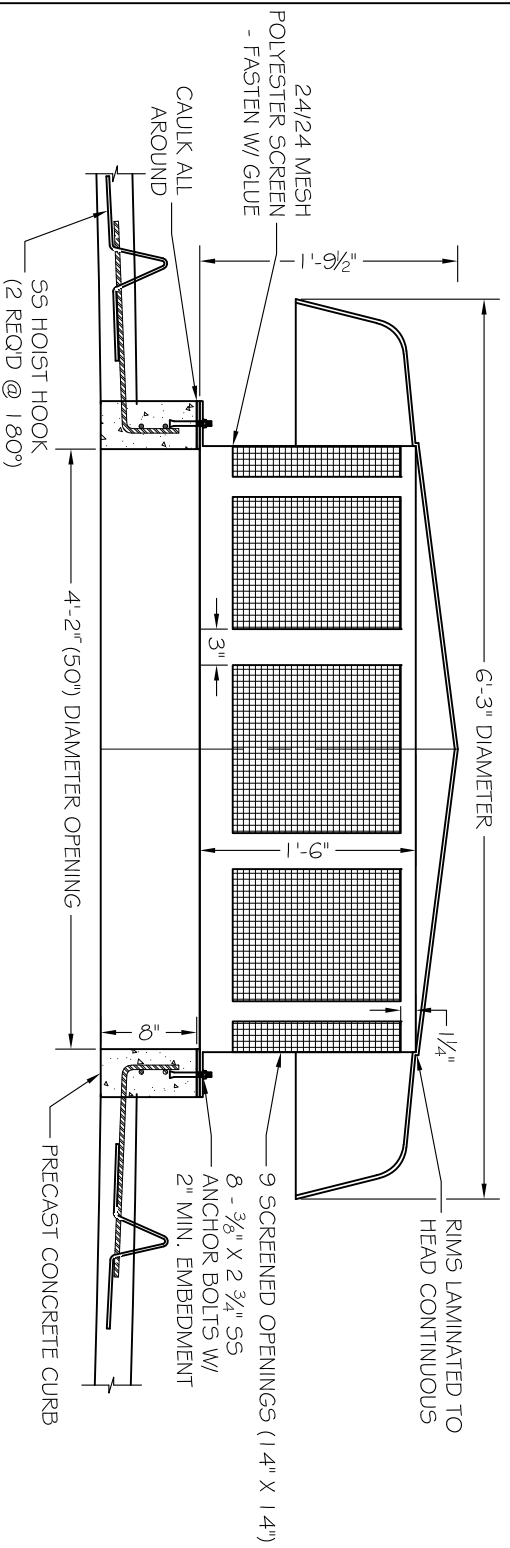
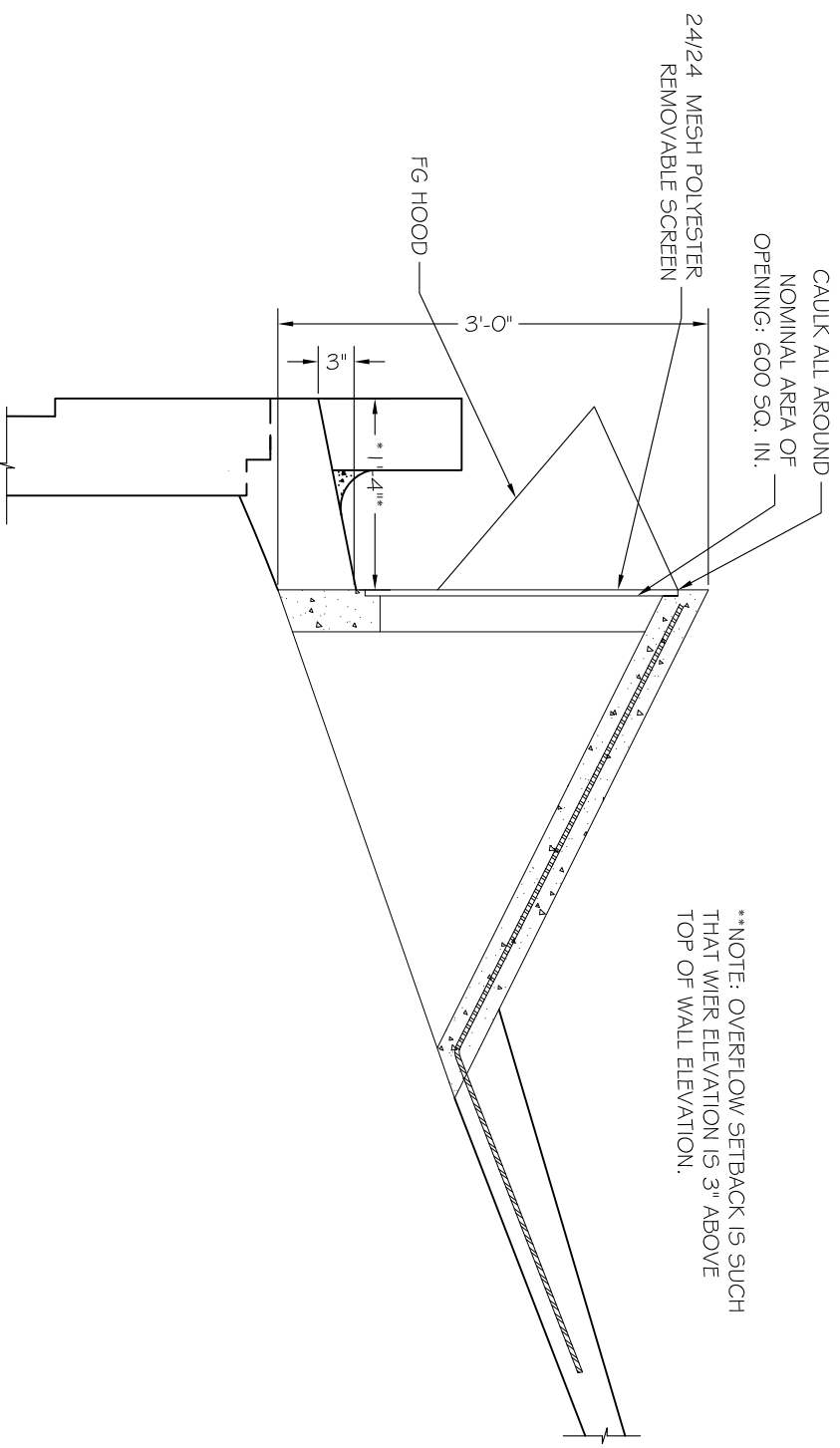


8" DOME PROBE OPENING
 (1 REQ'D) SC: 3/4" = 1'-0"

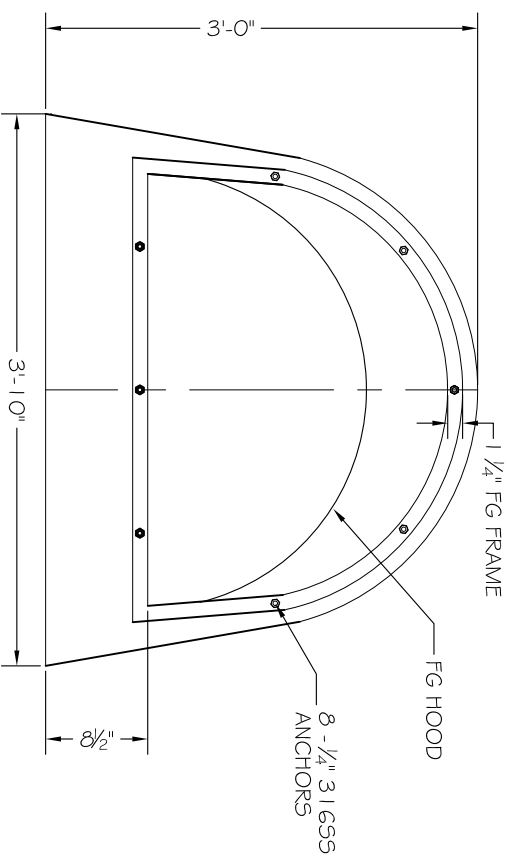


50" DOME CENTER VENT
 SC: 3/4" = 1'-0"



SIDE VIEW
 SC: 3/4" = 1'-0"

**NOTE: OVERFLOW SETBACK IS SUCH THAT WIER ELEVATION IS 3" ABOVE TOP OF WALL ELEVATION.



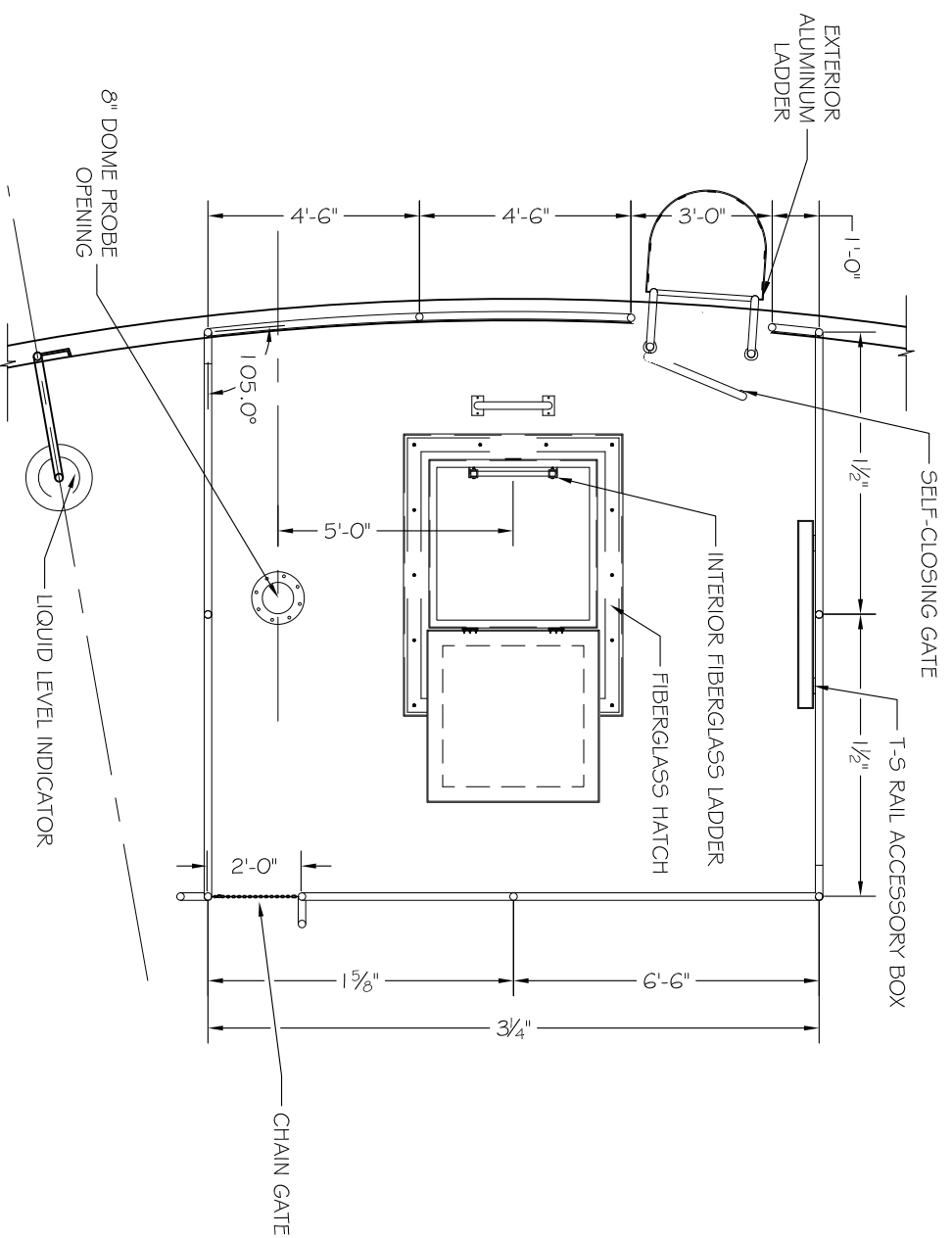
FRONT VIEW
 SC: 3/4" = 1'-0"

PRECAST CONCRETE OVERFLOWS
 (4 REQUIRED)

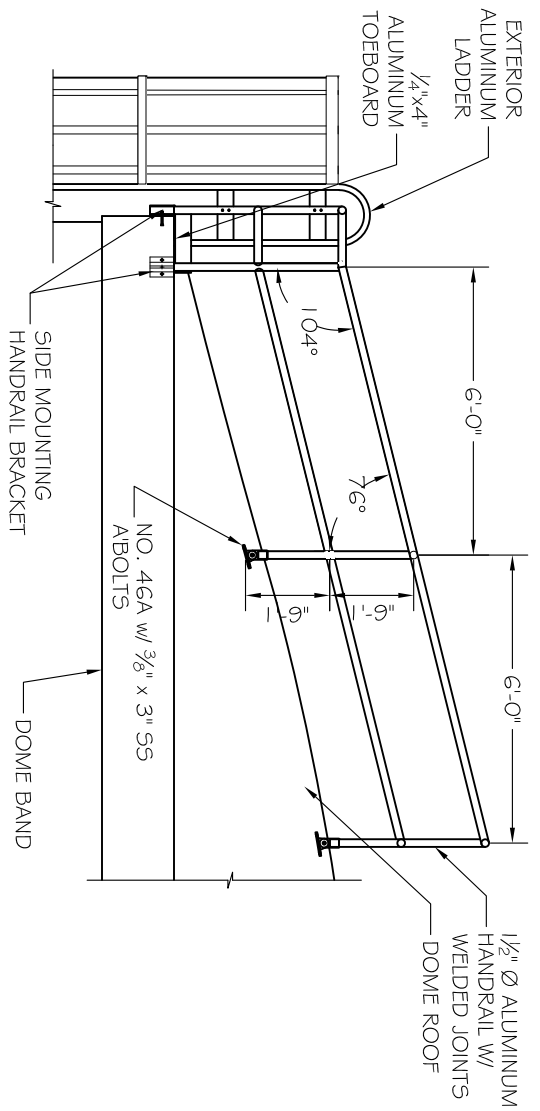


PRECON CORPORATION
 115 SW 140th TERRACE
 NEWBERRY, FL 32669
 (352) 332-1200
 (FAX) 332-1199

Drawn:	XXX
Check:	XXX
Appvd.	XXX
Date:	1/11/26
Job No.	2604
Sheet:	08
AUTOCAD FILENAME:	2604-RO-VANILLA TANK



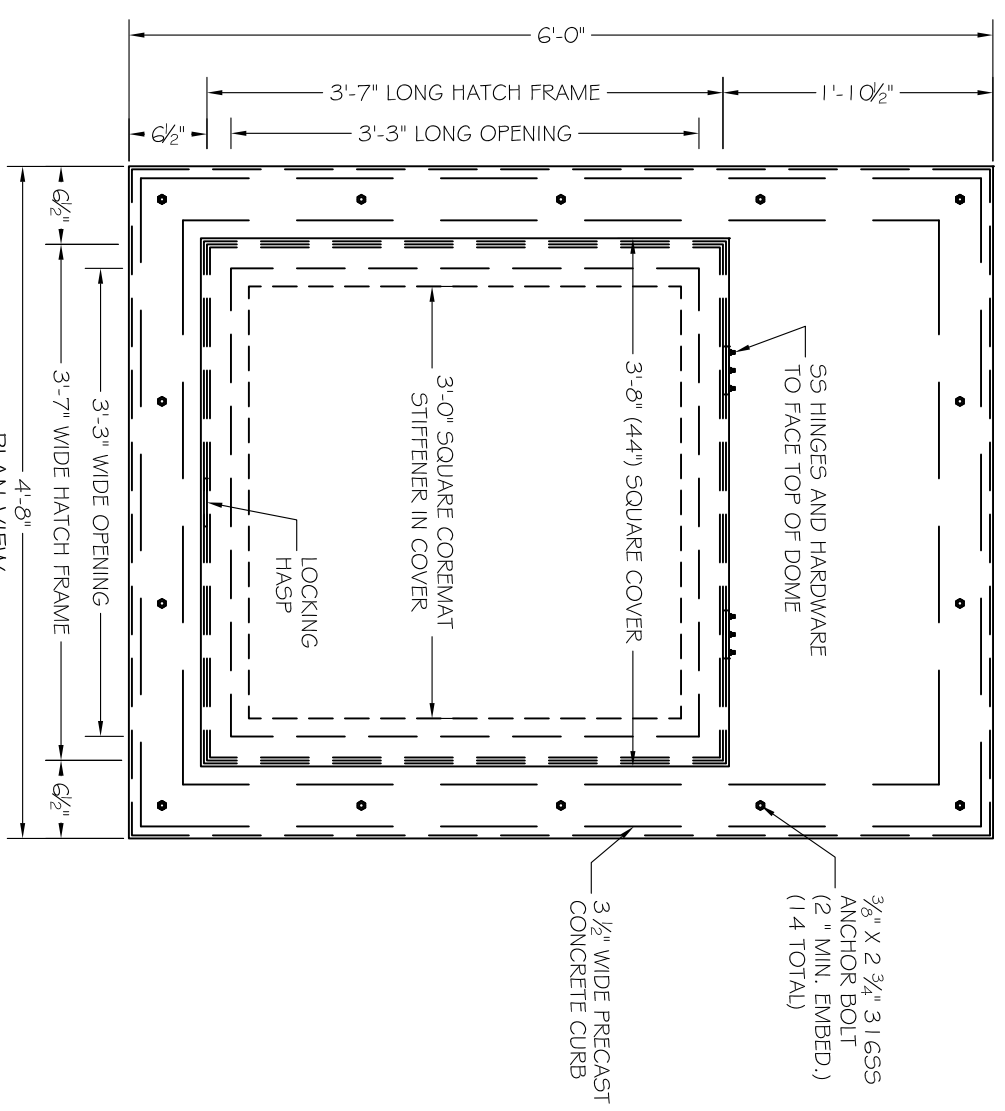
PLAN VIEW
SC: 1/2" = 1'-0"



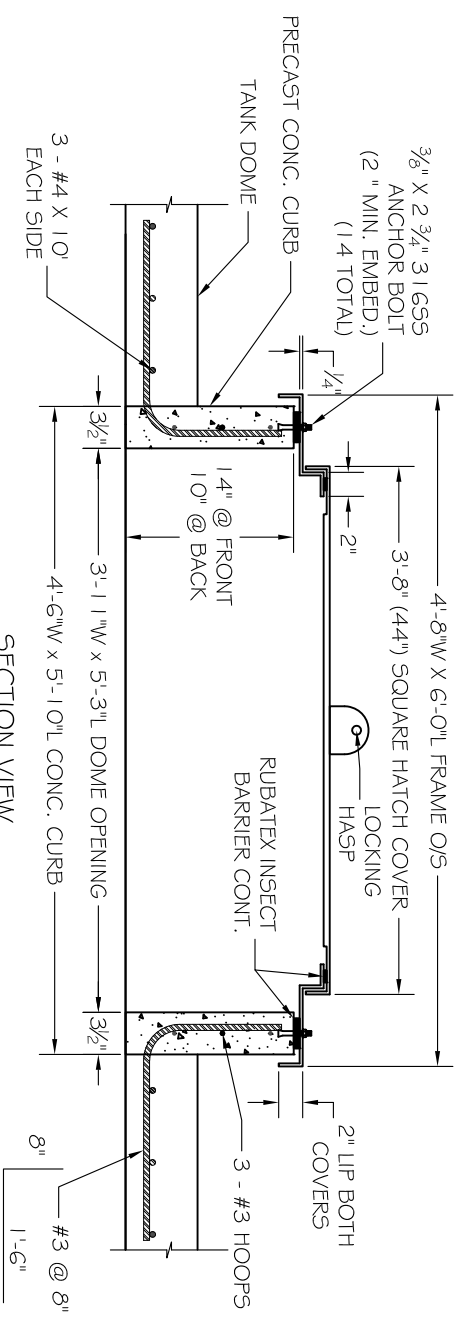
SECTION VIEW
SC: 1/2" = 1'-0"

HANDRAIL AT HATCH

- NOTES:
1. USE 1 1/2" SCH 40 6061-T6 ALUMINUM PIPE.
 2. TOE-BOARDS TO BE 6061-T6 ALUMINUM
 3. USE SS EXPANSION ANCHORS.
 4. ALL BRACKETS, FLANGES, & FITTINGS TO HAVE NEOPRENE PADS



PLAN VIEW
SC: 3/4" = 1'-0"




SECTION VIEW
SC: 3/4" = 1'-0"

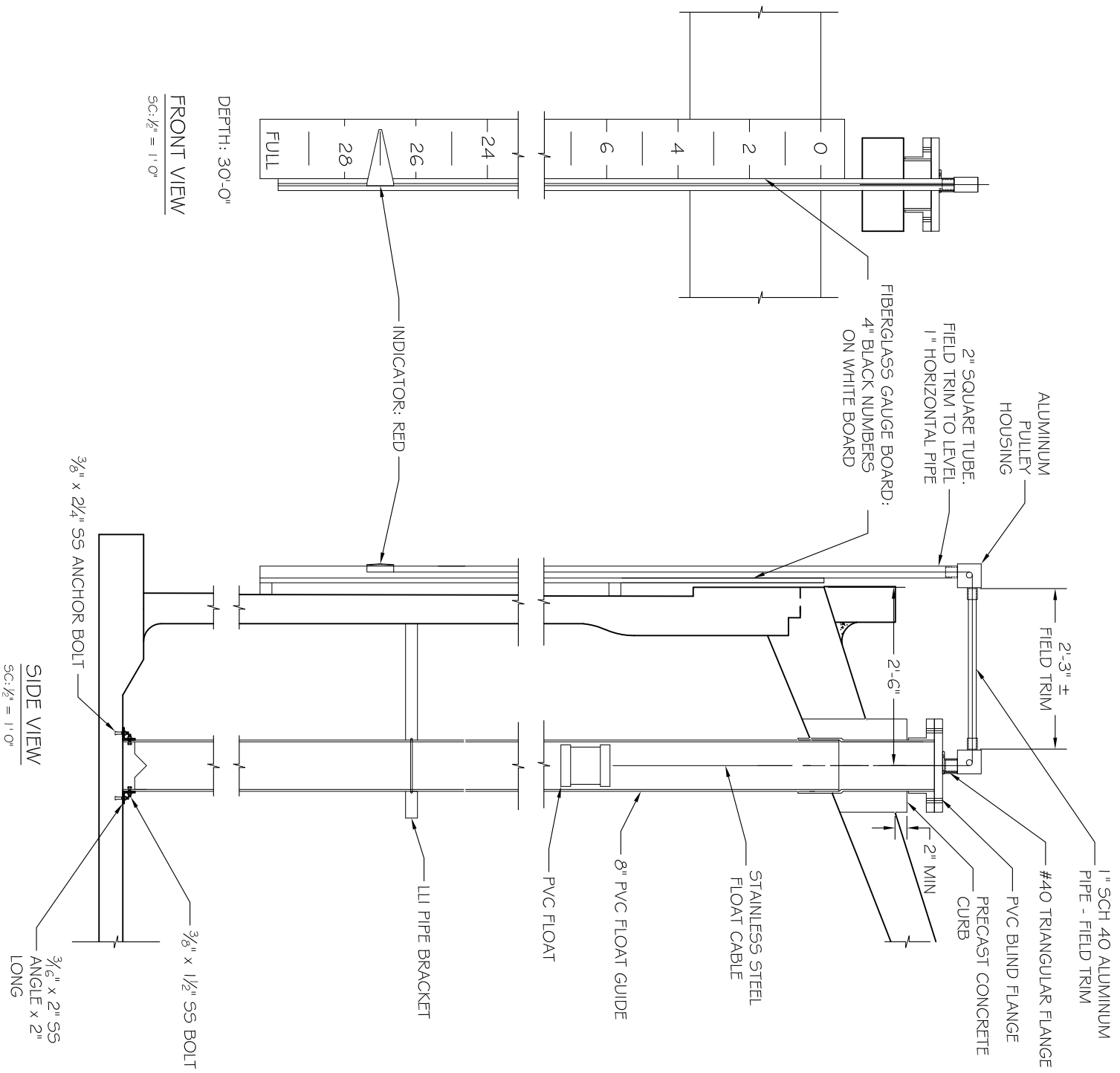
FIBERGLASS DOME HATCH
(1 REQ'D)

Drawn:	XXX
Check:	XXX
Appvd.	XXX
Date:	1/11/26
Job No.	2604
Sheet:	11
AUTOCAD FILENAME:	2604-RO-VANILLA TANK

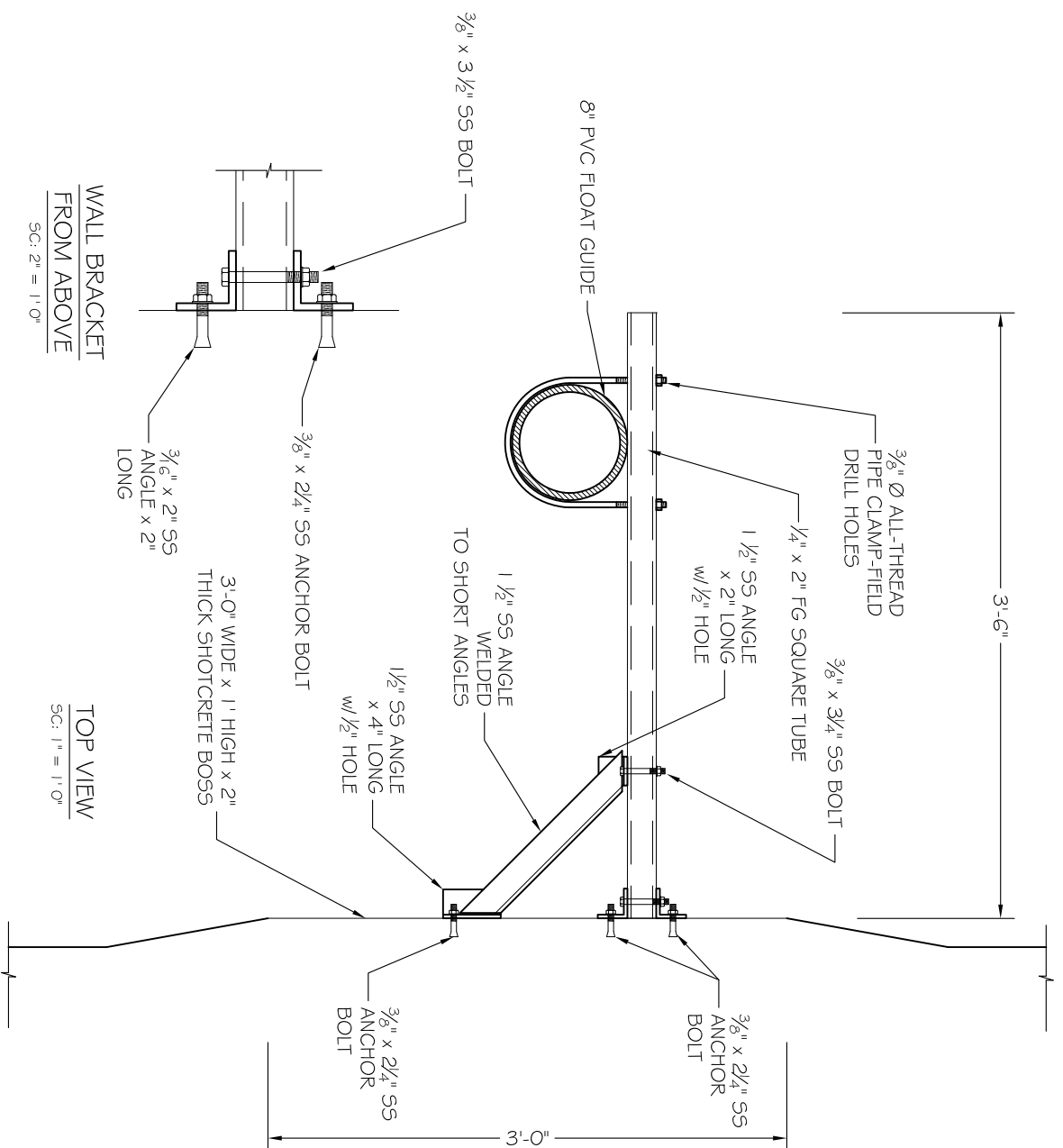
PRECON CORPORATION
 115 SW 140th TERRACE
 NEWBERRY, FL 32669
 (352) 332-1200
 (FAX) 332-1199



**PRESTRESSED
CONCRETE TANKS**



LIQUID LEVEL INDICATOR



LLI SUPPORT BRACKET

(1 SET REQ'D)

Drawn:	XXX
Check:	XXX
Appvd.	XXX
Date:	1/11/26
Job No.	2604
Sheet:	12
AUTOCAD FILENAME:	2604-RO - VANILLA TANK

PRECON CORPORATION
 115 SW 140th TERRACE
 NEWBERRY, FL 32689
 (352) 332-1200
 (FAX) 332-1199



