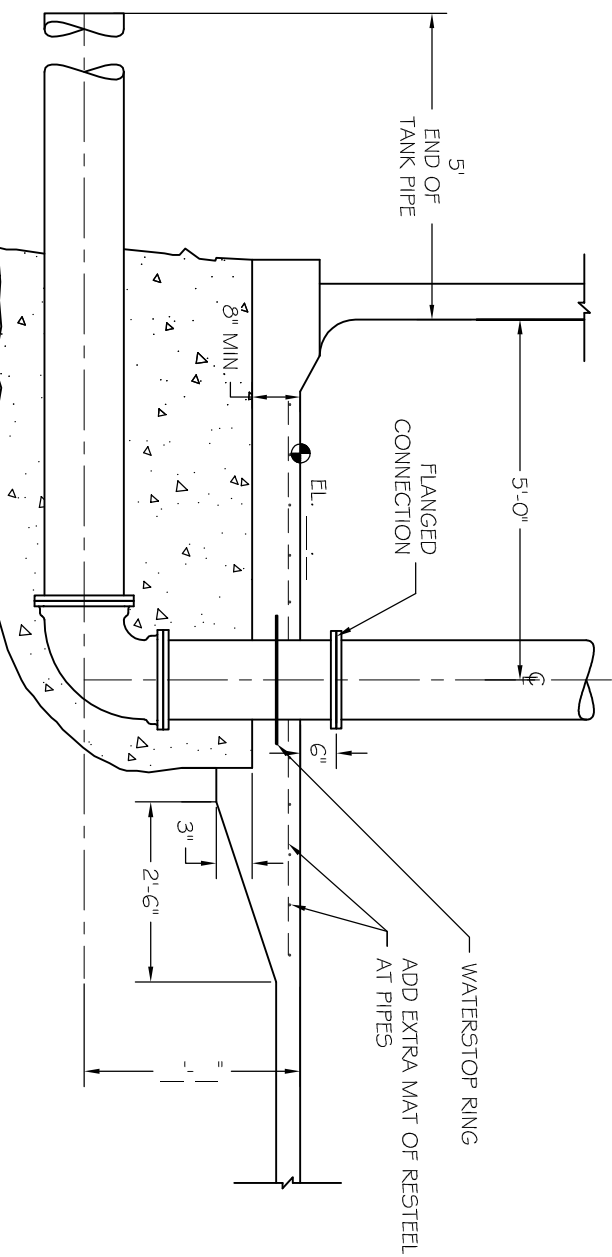
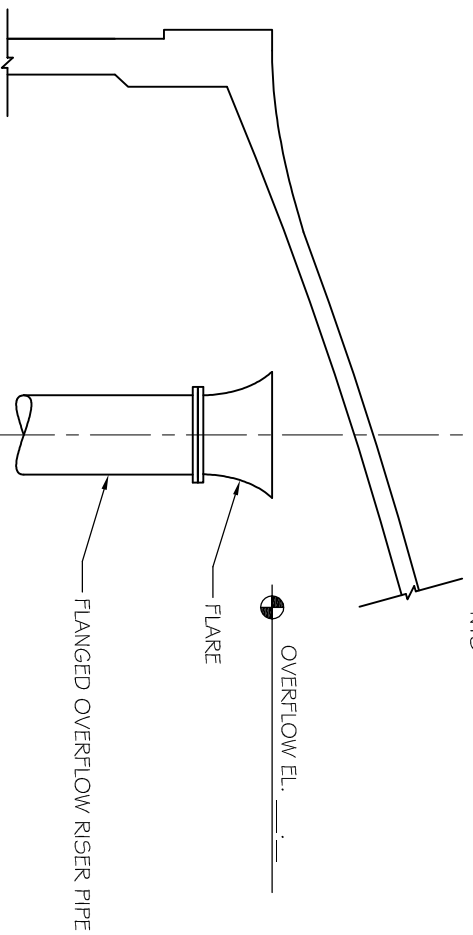


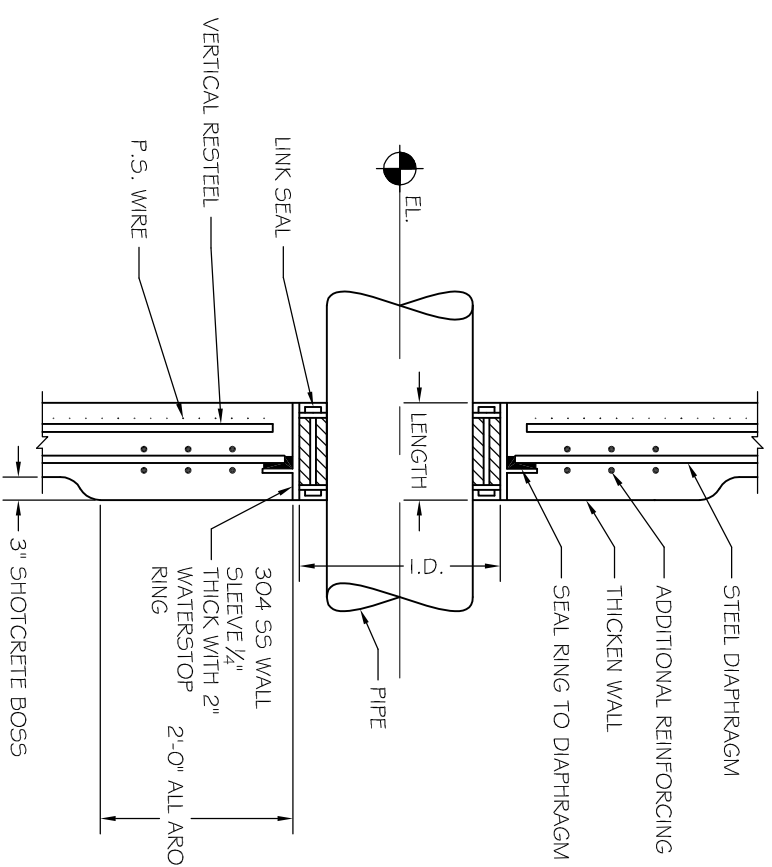
10" DOME PROBE OPENING

NTS



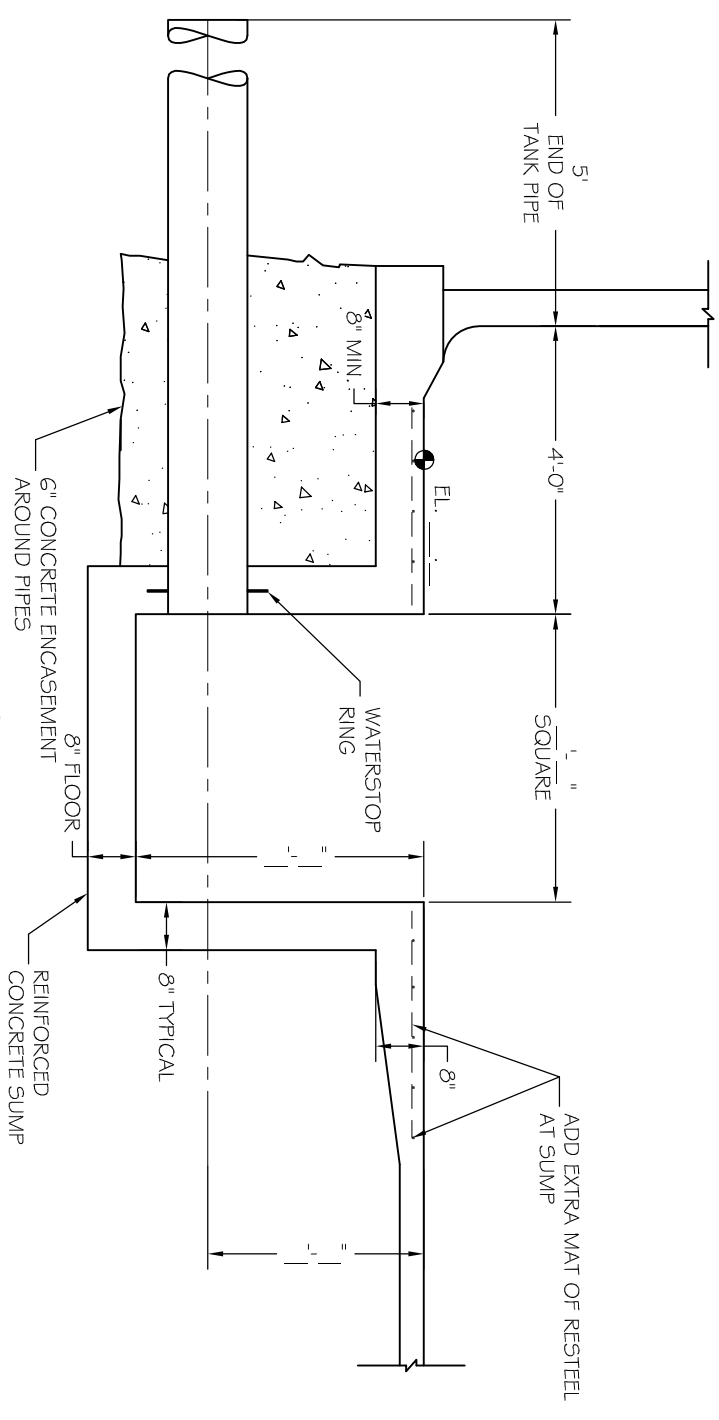
1" DIP OVERFLOW

N.T.S



TANK	DESCRIPTION	PIPE SIZE	SLEEVE I.D.	Q. ELEV	LINK SEALS	SLEEVE LENGTH

WALL SLEEVES



1" DIP OUTLET SUMP

N.T.S

AUTOCAD FILENAME:
Tank Piping (Website)

PRECON CORPORATION
115 SW 140th TERRACE
NEWBERRY, FL 32669
(352) 332-1200
(FAX) 332-1199



Drawn: JAG
Check: ---
Appvd. ---
Date: --/--
Job No. Tank F
Sht. of 5